



TITLE **HIGH POWER COAXIAL ATTENUATOR**

LTR. **A**

ELECTRICAL CHARACTERISTICS :

FREQUENCY RANGE : DC - 2 GHz
 IMPEDANCE : 50 Ohms
 ATTENUATION - NOMINAL : 6 dB
 ATTENUATION - ACCURACY : ± 1 dB
 MAXIMUM V.S.W.R. - DC - 1 GHz : 1.10
 - 1 - 2 GHz : 1.25
 AVERAGE POWER HANDLING : 80 W at 25°C free air cooled
 : 100 W at 25°C conduction cooled
 PEAK POWER HANDLING : 5 kW (1 μS, 1%.) at 25°C

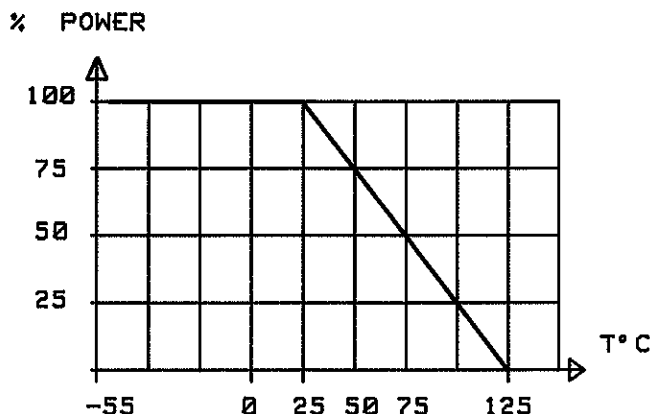
MECHANICAL CHARACTERISTICS :

CONNECTORS : N male/female per MIL C 39012
 MAXIMUM WEIGHT : 650 grams

ENVIRONMENTAL CHARACTERISTICS :

OPERATING TEMPERATURE RANGE : - 55°C + 125°C
 STORAGE TEMPERATURE RANGE : - 55°C + 125°C

Power derating
Versus temperature



Tentative data subject to change without notice.
3294 - 9011

PEN	QUALITY Dpt App.		LTR	REVISIONS	DATE	APP.
	MO B	23 MARS 1993				
PAGE 1/2	DATE 31/10/91	NAME K. LUCIEN				

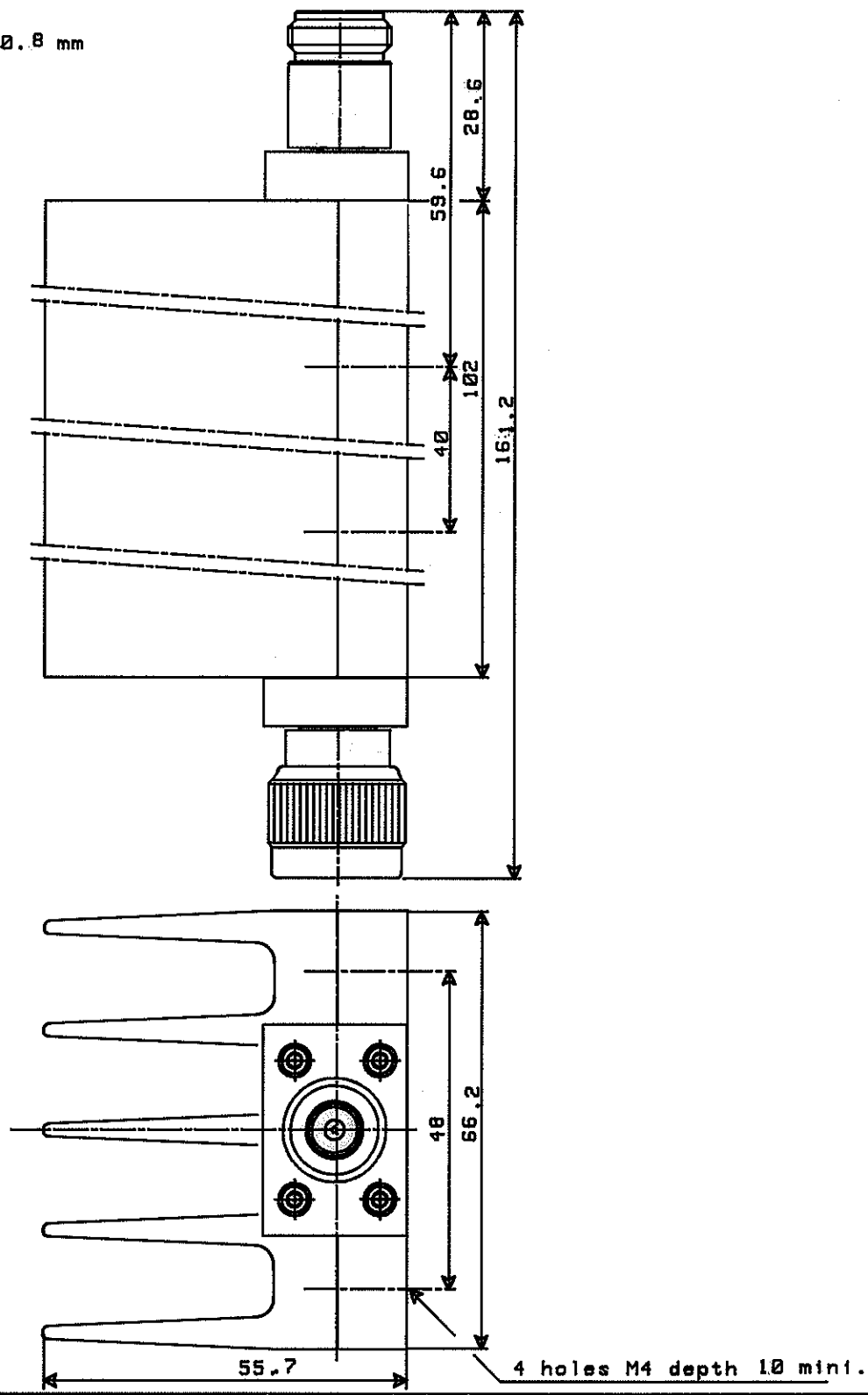


TITLE **HIGH POWER COAXIAL ATTENUATOR**

LTR. **A**

DRAWING

General tolerances ± 0.8 mm



Tentative data subject to change without notice.

3294 - 9011

PEN	QUALITY Dpt App.		LTR	REVISIONS	DATE	APP.
	MO B	23 MARS 1993				
PAGE 2/2	DATE 31/10/91	NAME K. LUCIEN	LTR	REVISIONS	DATE	APP.